



रेल भर्ती बोर्ड / RAILWAY RECRUITMENT BOARDS

सी ई एन आर आर बी - ०२/२०२४ - CEN RRB - 02/2024



Test Date	19/12/2024
Test Time	4:30 PM - 6:00 PM
Subject	RRB Technicians Grade I

* Note

Correct Answer will carry 1 mark per Question.

Incorrect Answer will carry 1/3 Negative mark per Question.

- Options shown in green color with a tick icon are correct.
- Chosen option on the right of the question indicates the option selected by the candidate.

Section : RRB Technicians Grade I

Q.1 Which of the following statements are true about GPU?

- The full form of GPU is Graphical User Interface.
- GPUs are made for the acceleration and enhancement of computer graphics and processed images.
- The GPU exists as an electronic circuit that can be found on graphics card.
- The GPU exists as a special electronic circuit that can be used in PCs and game consoles.

Ans 1. Only i, ii, and iv 2. i, ii, iii and iv 3. Only ii and iii 4. Only i, ii, and iii

Q.2 If 'A' stands for '+', 'B' stands for 'x', 'C' stands for '-' and 'D' stands for '/', then what will come in place of the question mark (?) in the following equation?

$$15 D 12 A 6 C 3 B 7 = ?$$

Ans 1. 34 2. 31 3. 32 4. 33Q.3 In an isosceles $\triangle ABC$, $AC = BC$, if each of the two equal angles of $\triangle ABC$ is 9 degrees less than two-fifth of the third angle. Find the value of $\left(\frac{2\angle C - 3\angle A + \angle B}{2}\right)$.Ans 1. 60° 2. 75° 3. 35° 4. 45°

Q.4 What is the name of the new generation ballistic missile with a range of 1,000-2,000 km that was successfully flight tested at APJ Abdul Kalam Island in April 2024?

Ans 1. Agni Prime 2. Surya 3. Prahaar 4. Akash

**Test
Prime**

By Adda247

ALL EXAMS, ONE SUBSCRIPTION



Test. Analyze. Improve. Repeat.



Don't just prepare. Perform.

Test Prime — built only for mock tests.



1,50,000+
Mock Tests



25,000+
Previous Year Papers



800+
Exam Covered



500% Refund
on Selection



5 lakh+
Free Quizzes



Daily
Free PDFs



Job Alerts
Stay Updated

- Multilingual
- Detailed Solution
- Strong and Weak Areas



**All India
Rankings**

Compete with lakhs.
Rank. Improve. Repeat.



← Adda247 test prime

Rating ▾

Editors' choice

New



Adda247 Test Prime
Adda Education • Education
Installed



DOWNLOAD THE APP



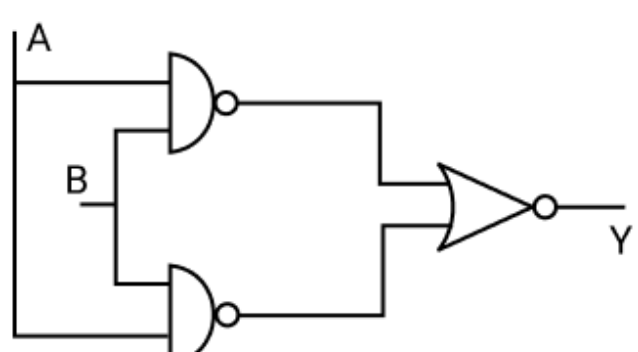
Q.5	In MS Word, what does the term 'font weight' refer to?
Ans	<p><input type="checkbox"/> 1. The style of the font</p> <p><input type="checkbox"/> 2. The colour of the font</p> <p><input type="checkbox"/> 3. The spacing between characters</p> <p><input checked="" type="checkbox"/> 4. The thickness of the font</p>
Q.6	Evaluate: $\frac{1}{\left(\frac{5}{6}\right) + \left(\frac{7}{9}\right)} \div \frac{5}{23}$
Ans	<p><input checked="" type="checkbox"/> 1. $2\frac{59}{69}$</p> <p><input type="checkbox"/> 2. $4\frac{1}{27}$</p> <p><input type="checkbox"/> 3. $2\frac{5}{6}$</p> <p><input type="checkbox"/> 4. $2\frac{53}{61}$</p>
Q.7	Which of the given options can replace the question mark (?) in the following series to make it logically complete? FHI 21 IKL 18 LNO 15 OQR 12 ?
Ans	<p><input checked="" type="checkbox"/> 1. RTU 9</p> <p><input type="checkbox"/> 2. RTV 10</p> <p><input type="checkbox"/> 3. RST 9</p> <p><input type="checkbox"/> 4. RTU 10</p>
Q.8	How can a computer virus affect a system's functionality?
Ans	<p><input type="checkbox"/> 1. By accelerating system boot time</p> <p><input type="checkbox"/> 2. By optimizing system updates</p> <p><input checked="" type="checkbox"/> 3. By causing software to malfunction or crash</p> <p><input type="checkbox"/> 4. By improving hardware performance</p>
Q.9	What are the major branches of Buddhism?
Ans	<p><input type="checkbox"/> 1. Anga and Upanga</p> <p><input type="checkbox"/> 2. Pathachari and Paribrajaka</p> <p><input checked="" type="checkbox"/> 3. Hinayana and Mahayana</p> <p><input type="checkbox"/> 4. Swetambara and Digambara</p>
Q.10	Select the correct option for the band gap energies of Ge, Si and GaAs. Where $E(\text{Ge})$ = band gap energy of Ge, $E(\text{Si})$ = band gap energy of Si and $E(\text{GaAs})$ = band gap energy of GaAs
Ans	<p><input checked="" type="checkbox"/> 1. $E(\text{GaAs}) > E(\text{Si}) > E(\text{Ge})$</p> <p><input type="checkbox"/> 2. $E(\text{Ge}) > E(\text{GaAs}) > E(\text{Si})$</p> <p><input type="checkbox"/> 3. $E(\text{GaAs}) > E(\text{Ge}) > E(\text{Si})$</p> <p><input type="checkbox"/> 4. $E(\text{Ge}) > E(\text{Si}) > E(\text{GaAs})$</p>

Q.11	According to a National Crime Records Bureau (NCRB) report, which was the most corrupted state in India in December 2023?
Ans	<input checked="" type="checkbox"/> 1. Maharashtra <input type="checkbox"/> 2. Rajasthan <input type="checkbox"/> 3. Bihar <input type="checkbox"/> 4. Uttar Pradesh

Q.12	The ratio of the lengths of two corresponding sides of two similar triangles is 6 : 2. The ratio of the areas of these two triangles, in the order mentioned, is:
Ans	<input type="checkbox"/> 1. 6 : 2 <input type="checkbox"/> 2. $6\sqrt{6} : 2$ <input checked="" type="checkbox"/> 3. 36 : 4 <input type="checkbox"/> 4. 37 : 5

Q.13	Which part of the Linux OS controls a computer's boot up process?
Ans	<input type="checkbox"/> 1. Kernel <input type="checkbox"/> 2. Daemons <input type="checkbox"/> 3. Init system <input checked="" type="checkbox"/> 4. Bootloader

Q.14	<p>A statement is given followed by two arguments. Decide which of the arguments is/are strong with respect to the statement.</p> <p>Statement: For the fifth consecutive day, the government announced an increase in the price of petrol by ₹2.</p> <p>Arguments: I. The international market has reduced fuel production. II. Taxes on petrol imports have increased.</p>
Ans	<input type="checkbox"/> 1. II weakens while I strengthens the statement. <input type="checkbox"/> 2. Both I and II weaken the statement. <input type="checkbox"/> 3. I weakens while II strengthens the statement. <input checked="" type="checkbox"/> 4. Both I and II strengthen the statement.

Q.15	<p>Find the Boolean expression for the given logic gate circuit diagram where inputs are A and B.</p> 
Ans	<input type="checkbox"/> 1. \overline{AB} <input checked="" type="checkbox"/> 2. AB <input type="checkbox"/> 3. $\overline{A + B}$ <input type="checkbox"/> 4. $A + B$

Q.16	An infinitely long straight wire carries a current of I . At what distance r from the wire is the magnetic field 5×10^{-6} T if $I = 15$ A?
Ans	<input checked="" type="checkbox"/> 1. 0.6 m <input type="checkbox"/> 2. 0.3 m <input type="checkbox"/> 3. 7.5 m <input type="checkbox"/> 4. 3 m
Q.17	When you first open a spreadsheet software, what is usually displayed?
Ans	<input checked="" type="checkbox"/> 1. A blank spreadsheet with grids and cells <input type="checkbox"/> 2. A presentation slide <input type="checkbox"/> 3. A blank document <input type="checkbox"/> 4. A blank page without any grids
Q.18	The direction of the magnetic field around an infinitely long straight current-carrying wire is:
Ans	<input checked="" type="checkbox"/> 1. tangential to the wire and depends on the direction of the current <input type="checkbox"/> 2. radial outward from the wire <input type="checkbox"/> 3. perpendicular to the plane containing the wire and the point <input type="checkbox"/> 4. radial inward toward the wire
Q.19	If the angle of elevation of the sun changes from 30° to 45° , the length of the shadow of a pillar decreases by 80 m. The height of the pillar is:
Ans	<input checked="" type="checkbox"/> 1. $40(\sqrt{3} + 1)$ cm <input type="checkbox"/> 2. $30(\sqrt{3} + 1)$ cm <input type="checkbox"/> 3. $10(\sqrt{6} + 1)$ cm <input type="checkbox"/> 4. $20(\sqrt{3} + 1)$ cm
Q.20	The value of the discriminant of the quadratic equation $7x^2 - 18x - 11 = 0$ is:
Ans	<input type="checkbox"/> 1. 619 <input type="checkbox"/> 2. 638 <input checked="" type="checkbox"/> 3. 632 <input type="checkbox"/> 4. 616
Q.21	Select the most appropriate option to fill in the blank. _____ error occurs as the value of flux density is different for the same value of current when increasing and decreasing.
Ans	<input checked="" type="checkbox"/> 1. Hysteresis <input type="checkbox"/> 2. Frequency <input type="checkbox"/> 3. Friction <input type="checkbox"/> 4. Temperature
Q.22	Which power-saving mode is most suitable for short breaks when you want to resume work quickly?
Ans	<input type="checkbox"/> 1. Restart <input type="checkbox"/> 2. Hibernate <input type="checkbox"/> 3. Shutdown <input checked="" type="checkbox"/> 4. Sleep

Q.23	<p>Select the most appropriate option to fill in the blanks. Repeatability is defined as the ability of an instrument to give the ____ output (with limited variations) for repeated applications of ____ input value under same environmental conditions.</p>
Ans	<p>✓ 1. same; same</p>
	<p>✗ 2. different; same</p>
	<p>✗ 3. different; different</p>
	<p>✗ 4. same; different</p>
Q.24	<p>Which of the following methods can be used to delete multiple columns simultaneously in Excel?</p>
Ans	<p>✗ 1. Use the "Find and Replace" feature</p>
	<p>✓ 2. Select the columns, then right-click and press "Delete"</p>
	<p>✗ 3. Select the columns, then press the Delete key</p>
	<p>✗ 4. Use the "Clear" option from the Home tab</p>
Q.25	<p>In the following triad, each group of letters is related to the subsequent one following a certain logic. Select from the given options, the one that follows the same logic. SALT - LSAT - TLAS MAID - IMAD - DIAM</p>
Ans	<p>✗ 1. BEAR - ABER - EARB</p>
	<p>✗ 2. LIFT - LFIT - TFIL</p>
	<p>✓ 3. KITE - TKIE - ETIK</p>
	<p>✗ 4. MAIN - AMIN - NAIM</p>
Q.26	<p>What should come in place of the question mark (?) in the given series? 1230 1232 1236 1242 1250 ?</p>
Ans	<p>✗ 1. 1264</p>
	<p>✗ 2. 1263</p>
	<p>✗ 3. 1262</p>
	<p>✓ 4. 1260</p>
Q.27	<p>Which of the following is the correct shortcut key to bring up the task manager directly using keyboard only?</p>
Ans	<p>✗ 1. Ctrl + Windows + Enter</p>
	<p>✗ 2. Windows + R</p>
	<p>✓ 3. Ctrl + Shift + Escape</p>
	<p>✗ 4. Ctrl + Alt + Delete</p>
Q.28	<p>Intel 8051 provides ____ interrupt structures and 8052 provides ____ interrupt structures.</p>
Ans	<p>✓ 1. 6; 7</p>
	<p>✗ 2. 4; 5</p>
	<p>✗ 3. 7; 8</p>
	<p>✗ 4. 5; 6</p>

Q.29	If the period T of a simple pendulum depends on its length L , mass m and acceleration due to gravity g , then using dimensional analysis, the period T is proportional to _____.
Ans	<p><input checked="" type="checkbox"/> 1. $\frac{L}{\sqrt{g}}$</p> <p><input checked="" type="checkbox"/> 2. $\frac{L}{g}$</p> <p><input checked="" type="checkbox"/> 3. $\sqrt{\frac{L}{g}}$</p> <p><input checked="" type="checkbox"/> 4. $\frac{mL}{g}$</p>

Q.30	Reproducibility is defined as the ability of an instrument to reproduce (the) _____ output(s) for repeated applications of (the) _____ input value(s) under (the) _____ environment condition(s).
Ans	<p><input checked="" type="checkbox"/> 1. same; same; different</p> <p><input checked="" type="checkbox"/> 2. same; same; same</p> <p><input checked="" type="checkbox"/> 3. different; same; different</p> <p><input checked="" type="checkbox"/> 4. same; different; same</p>

Q.31	Find the Boolean expression for the output Y if inputs are A and B .
Ans	<p><input checked="" type="checkbox"/> 1. B</p> <p><input checked="" type="checkbox"/> 2. $A+B$</p> <p><input checked="" type="checkbox"/> 3. AB</p> <p><input checked="" type="checkbox"/> 4. A</p>

Q.32	A copper wire has resistance R . If its radius is reduced to half while keeping the length constant, what will be the new resistance?
Ans	<p><input checked="" type="checkbox"/> 1. $2R$</p> <p><input checked="" type="checkbox"/> 2. $4R$</p> <p><input checked="" type="checkbox"/> 3. R</p> <p><input checked="" type="checkbox"/> 4. $16R$</p>

Q.33	In a certain code language, 'CARE' is coded as '6975' and 'RISK' is coded as '4386'. What is the code for 'R' in that language?
Ans	<p><input checked="" type="checkbox"/> 1. 6</p> <p><input checked="" type="checkbox"/> 2. 7</p> <p><input checked="" type="checkbox"/> 3. 5</p> <p><input checked="" type="checkbox"/> 4. 4</p>

Q.34	Devendra Jhajharia is associated to which of the following games?
Ans	<p><input type="checkbox"/> 1. Wrestling</p> <p><input type="checkbox"/> 2. Boxing</p> <p><input checked="" type="checkbox"/> 3. Javelin throw</p> <p><input type="checkbox"/> 4. Badminton</p>

Q.35	The distance between the points (0, 3) and (-3, 0) is :
Ans	<p><input type="checkbox"/> 1. 3 units</p> <p><input checked="" type="checkbox"/> 2. $3\sqrt{2}$ units</p> <p><input type="checkbox"/> 3. 6 units</p> <p><input type="checkbox"/> 4. $2\sqrt{3}$ units</p>

Q.36	The first and last terms of an A.P. are 36 and 46. If the sum of its terms is 574, then the number of terms will be?
Ans	<p><input type="checkbox"/> 1. 17</p> <p><input checked="" type="checkbox"/> 2. 14</p> <p><input type="checkbox"/> 3. 15</p> <p><input type="checkbox"/> 4. 16</p>

Q.37	In the given logic circuit, if the initial input is 0, then what will be the output of A and B, respectively?
Ans	<p><input checked="" type="checkbox"/> 1. 0, 0</p> <p><input type="checkbox"/> 2. 1, 1</p> <p><input type="checkbox"/> 3. 1, 0</p> <p><input type="checkbox"/> 4. 0, 1</p>

Q.38	What is the estimated worth of the National Monetization Pipeline unveiled by the Government of India in September 2021?
Ans	<p><input type="checkbox"/> 1. ₹3 lakh crore</p> <p><input type="checkbox"/> 2. ₹10 lakh crore</p> <p><input checked="" type="checkbox"/> 3. ₹6 lakh crore</p> <p><input type="checkbox"/> 4. ₹15 lakh crore</p>

Q.39	Refer to the following letter, number and symbol series and answer the question that follows. (Left) Q C 9 U @ 8 D & A D V 9 2 2 @ ^ L Y A / + K (Right) How many such letters are there that are immediately preceded by a number and immediately followed by a symbol?
Ans	<p><input checked="" type="checkbox"/> 1. Two</p> <p><input type="checkbox"/> 2. Four</p> <p><input type="checkbox"/> 3. One</p> <p><input type="checkbox"/> 4. Three</p>

Q.40 A particle is subjected to a variable force $F(x)=6x$ N, where x is in metres. What is the work done in moving the particle from $x=0$ m to $x=3$ m?

- Ans**
- 1. 54 J
 - 2. 9 J
 - 3. 18 J
 - 4. 27 J

Q.41 Match the following geographical features with their respective region:

A. Karewas	I. Eastern Ghats
B. Barchans	II. Kashmir region
C. Mahendragiri	III. Coastal plain along Bay of Bengal
D. Northern Circar	IV. Thar desert

- Ans**
- 1. A-III, B-I, C-IV, D-II
 - 2. A-I, B-III, C-II, D-IV
 - 3. A-IV, B-II, C-III, D-I
 - 4. A-II, B-IV, C-I, D-III

Q.42 Select the most appropriate option to fill in the blank. When the strain gauge-elastic member combination is used for weighing, it is called a _____.

- Ans**
- 1. Linear Variable Differential Transformer (L.V.D.T.)
 - 2. Piezoelectric transducer
 - 3. Capacitive transducer
 - 4. Load cell

Q.43 What is the purpose of setting a print area in a spreadsheet?

- Ans**
- 1. To highlight the area with colours
 - 2. To define the range of cells to be printed
 - 3. To freeze rows and columns
 - 4. To adjust the font size

Q.44 Parallax error is an example of which type of error?

- Ans**
- 1. Random error
 - 2. Gross error
 - 3. Systematic error
 - 4. Instrumental error

Q.45 A coin is thrown eight times. The probability of getting exactly five tails is:

- Ans**
- 1. 0.22
 - 2. 0.11
 - 3. 0.78
 - 4. 0.28

Q.46 According to Environment Performance Index (EPI) 2024, what was India's rank in greenhouse gas production in May 2024?

- Ans**
- 1. 7th
 - 2. 2nd
 - 3. 3rd
 - 4. 11th

Q.47	The radius of a right circular cone is 2.1 cm and its height is 2.8 cm. The total surface area of the cone is: (Take $\pi = 22/7$)
Ans	<p><input type="checkbox"/> 1. 23.1 cm^2</p> <p><input type="checkbox"/> 2. 46.2 cm^2</p> <p><input type="checkbox"/> 3. 18.48 cm^2</p> <p><input checked="" type="checkbox"/> 4. 36.96 cm^2</p>
Q.48	Two resistors, $R_1 = 10 \Omega$ and $R_2 = 20 \Omega$, are connected in series to a 12-V battery. What is the voltage across R_2 ?
Ans	<p><input type="checkbox"/> 1. 4 V</p> <p><input type="checkbox"/> 2. 16 V</p> <p><input checked="" type="checkbox"/> 3. 8 V</p> <p><input type="checkbox"/> 4. 12 V</p>
Q.49	If $X = \{ a, b, c, d \}$ and $Y = \{ f, b, d, g \}$, find $X \cap Y$.
Ans	<p><input type="checkbox"/> 1. $\{ a, c \}$</p> <p><input type="checkbox"/> 2. $\{ g, f \}$</p> <p><input type="checkbox"/> 3. $\{ a, b, c, d, g, f \}$</p> <p><input checked="" type="checkbox"/> 4. $\{ b, d \}$</p>
Q.50	Two dice (both numbered 1 to 6) are rolled, simultaneously. What is the probability of observing a sum of 8?
Ans	<p><input checked="" type="checkbox"/> 1. $\frac{5}{36}$</p> <p><input type="checkbox"/> 2. $\frac{7}{36}$</p> <p><input type="checkbox"/> 3. $\frac{5}{6}$</p> <p><input type="checkbox"/> 4. $\frac{1}{6}$</p>
Q.51	Which of the following correctly expresses the relationship between power, force, time and distance?
Ans	<p><input type="checkbox"/> 1. $P = F/d \times t$</p> <p><input type="checkbox"/> 2. $P = F \times t/d$</p> <p><input type="checkbox"/> 3. $P = F \times d \times t$</p> <p><input checked="" type="checkbox"/> 4. $P = F \times d/t$</p>
Q.52	The SI unit of current, the Ampere, is defined based on _____.
Ans	<p><input checked="" type="checkbox"/> 1. the force between two current-carrying conductors</p> <p><input type="checkbox"/> 2. the magnetic flux through a loop</p> <p><input type="checkbox"/> 3. the electric potential difference</p> <p><input type="checkbox"/> 4. the force between two charges</p>

Q.53	If a conductor moves through a uniform magnetic field, the induced potential difference is maximised when _____.
Ans	<p><input type="checkbox"/> 1. the magnetic field is non-uniform</p> <p><input type="checkbox"/> 2. the magnetic field is zero</p> <p><input type="checkbox"/> 3. the conductor is parallel to the magnetic field lines</p> <p><input checked="" type="checkbox"/> 4. the conductor is perpendicular to the magnetic field lines</p>
Q.54	Which of the following platforms is primarily used for professional networking?
Ans	<p><input type="checkbox"/> 1. Facebook</p> <p><input type="checkbox"/> 2. Twitter</p> <p><input type="checkbox"/> 3. Instagram</p> <p><input checked="" type="checkbox"/> 4. LinkedIn</p>
Q.55	The point (9, 0), (9, 6), (-9, 6) and (-9, 0) are the vertices of a _____.
Ans	<p><input type="checkbox"/> 1. square</p> <p><input checked="" type="checkbox"/> 2. rectangle</p> <p><input type="checkbox"/> 3. trapezium</p> <p><input type="checkbox"/> 4. rhombus</p>
Q.56	The basic principle behind the working of an electric motor is the interaction between the _____.
Ans	<p><input checked="" type="checkbox"/> 1. magnetic field and current-carrying conductors</p> <p><input type="checkbox"/> 2. magnetic field and heat energy</p> <p><input type="checkbox"/> 3. electric field and gravitational field</p> <p><input type="checkbox"/> 4. electric potential and light energy</p>
Q.57	<p>Read the given statements and conclusions carefully. Assuming that the information given in the statements is true, even if it appears to be at variance with commonly known facts, decide which of the given conclusions logically follow(s) from the statement(s).</p> <p>Statements: All roofs are sheds. No shed is a window. No shed is an door.</p> <p>Conclusions: (I) No roof is a window. (II) Some doors are windows.</p>
Ans	<p><input type="checkbox"/> 1. Neither conclusion (I) nor (II) follows.</p> <p><input checked="" type="checkbox"/> 2. Only conclusion (I) follows.</p> <p><input type="checkbox"/> 3. Only conclusion (II) follows.</p> <p><input type="checkbox"/> 4. Both conclusions (I) and (II) follow.</p>
Q.58	<p>Select the most appropriate options to fill in the blanks.</p> <p>The output voltage of L.V.D.T. transducer is practically _____ for displacements up to _____.</p>
Ans	<p><input type="checkbox"/> 1. exponential; 5 mm</p> <p><input type="checkbox"/> 2. linear; 50 mm</p> <p><input type="checkbox"/> 3. exponential; 50 mm</p> <p><input checked="" type="checkbox"/> 4. linear; 5 mm</p>

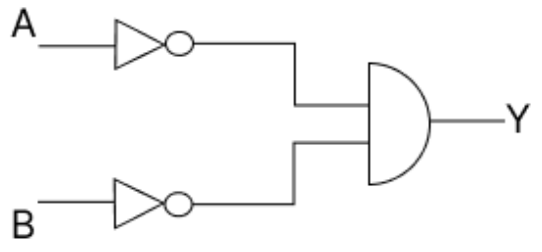
Q.59	What is the equivalent of 1 bar in the SI unit of pressure?
Ans	<p>✓ 1. 10^5 Pa</p> <p>✗ 2. 10^6 N/m²</p> <p>✗ 3. 10^{-5} Pa</p> <p>✗ 4. 10^4 psi</p>
Q.60	If the velocity v of a body is expressed as $v = at + bt^2$, where a and b are constants, the dimensions of b are _____.
Ans	<p>✗ 1. $[LT^{-1}]$</p> <p>✗ 2. $[L]$</p> <p>✓ 3. $[LT^{-3}]$</p> <p>✗ 4. $[LT^{-2}]$</p>
Q.61	A wire loop is placed in a magnetic field that is increasing in magnitude but remains stationary. Using Fleming's Right-Hand Rule, what can be said about the induced current in the loop?
Ans	<p>✗ 1. The direction of the current depends on the material of the loop</p> <p>✓ 2. There is no induced current since the loop is stationary</p> <p>✗ 3. The current is induced counterclockwise</p> <p>✗ 4. The current is induced clockwise</p>
Q.62	If a machine does 3000 J of work in 15 seconds, what is the power output of the machine?
Ans	<p>✗ 1. 450 W</p> <p>✗ 2. 5 W</p> <p>✓ 3. 200 W</p> <p>✗ 4. 5 mW</p>
Q.63	In a class of 37 students, 25 like to play cricket and 16 like to play football. Also, each student likes to play at least one of the two games. How many students like to play both cricket and football ?
Ans	<p>✗ 1. 5</p> <p>✗ 2. 6</p> <p>✗ 3. 3</p> <p>✓ 4. 4</p>
Q.64	A 60-W lightbulb operates on a 120-V source. What is the current flowing through the bulb?
Ans	<p>✓ 1. 0.5 A</p> <p>✗ 2. 1 A</p> <p>✗ 3. 2 A</p> <p>✗ 4. 1.5 A</p>
Q.65	Based on the English alphabetical order, three of the following four letter-cluster pairs are alike in a certain way and thus form a group. Which pair DOES NOT belong to that group? (Note: The odd one out is not based on the number of consonants/vowels or their position in the letter-cluster pair.)
Ans	<p>✗ 1. EX-OK</p> <p>✗ 2. ZS-JF</p> <p>✓ 3. IB-PO</p> <p>✗ 4. MF-WS</p>

Q.66	In a purely capacitive AC circuit, the power consumed over a complete cycle is _____.
Ans	<input checked="" type="checkbox"/> 1. minimum but not zero <input checked="" type="checkbox"/> 2. maximum <input checked="" type="checkbox"/> 3. zero <input checked="" type="checkbox"/> 4. equal to the apparent power

Q.67	The magnetic field at a point near a long, straight current-carrying conductor is directly proportional to _____.
Ans	<input checked="" type="checkbox"/> 1. the inverse of the distance from the conductor <input checked="" type="checkbox"/> 2. the square of the distance from the conductor <input checked="" type="checkbox"/> 3. the square of the current <input checked="" type="checkbox"/> 4. the current through the conductor

Q.68	<p>In the following number-pairs, the second number is obtained by applying certain mathematical operations to the first number. Which numbers should replace X and Y so that the pattern followed by the two numbers on the left side of :: is same as that on the right side of ::?</p> <p>(NOTE: Operations should be performed on the whole numbers, without breaking down the numbers into their constituent digits. E.g. 13 – Operations on 13 such as adding/subtracting/multiplying to 13 can be performed. Breaking down 13 into 1 and 3 and then performing mathematical operations on 1 and 3 is not allowed.)</p> <p>X : 32 :: 18 : Y</p>
Ans	<input checked="" type="checkbox"/> 1. X=15, Y=37 <input checked="" type="checkbox"/> 2. X=13, Y=37 <input checked="" type="checkbox"/> 3. X=14, Y=35 <input checked="" type="checkbox"/> 4. X=13, Y=30

Q.69	<p>In this question, a question is followed by two statements numbered (I) and (II). You have to decide whether the data provided in the statements are sufficient to answer the question. Read both the statements and decide the appropriate answer.</p> <p>Question: Six people sit in two parallel rows. In Row 1- A, B and C sit facing towards north and in Row 2 - P, Q and R sit facing the south. Each person in a row faces a person in the other row. Who sits at the right extreme end of Row 1?</p> <p>Statement (I): R sits to the immediate left of Q. Q faces A. B sits to the immediate left of A.</p> <p>Statement (II): Only one person sits between B and C. B faces an immediate neighbour of Q.</p>
Ans	<input checked="" type="checkbox"/> 1. Data in statements I and II together are NOT sufficient to answer the question. <input checked="" type="checkbox"/> 2. Data in Statement I alone is sufficient to answer the question while data in statement II is not. <input checked="" type="checkbox"/> 3. Data in Statement II alone is sufficient to answer the question while data in statement I is not. <input checked="" type="checkbox"/> 4. Data in statements I and II together are sufficient to answer the question.

Q.70	<p>The given logic gate diagram is equivalent to _____.</p> 
Ans	<input checked="" type="checkbox"/> 1. NAND GATE <input checked="" type="checkbox"/> 2. OR GATE <input checked="" type="checkbox"/> 3. NOR GATE <input checked="" type="checkbox"/> 4. AND GATE

Q.71	If the resistance R is constant and the voltage V across a resistor is tripled, how does the power P change?
Ans	<p><input checked="" type="checkbox"/> 1. It increases by nine times.</p> <p><input type="checkbox"/> 2. It increases by one-third of its original.</p> <p><input type="checkbox"/> 3. It increases by three times.</p> <p><input type="checkbox"/> 4. It decreases by three times.</p>
Q.72	Which view allows you to organise the sequence of slides in your presentation in MS PowerPoint?
Ans	<p><input type="checkbox"/> 1. Normal View</p> <p><input checked="" type="checkbox"/> 2. Slide Sorter View</p> <p><input type="checkbox"/> 3. Slide Show</p> <p><input type="checkbox"/> 4. Reading View</p>
Q.73	To select multiple slides, press and hold the _____ key, and then click each slide.
Ans	<p><input checked="" type="checkbox"/> 1. Ctrl</p> <p><input type="checkbox"/> 2. Home</p> <p><input type="checkbox"/> 3. Shift</p> <p><input type="checkbox"/> 4. Alt</p>
Q.74	If the temperature of the surrounding medium increases, it will result in a/an _____ in the resistance of the thermistor and a/an _____ in the current.
Ans	<p><input type="checkbox"/> 1. increase; increase</p> <p><input checked="" type="checkbox"/> 2. decrease; increase</p> <p><input type="checkbox"/> 3. decrease; decrease</p> <p><input type="checkbox"/> 4. increase; decrease</p>
Q.75	What action should be taken if an antivirus software detects a virus?
Ans	<p><input checked="" type="checkbox"/> 1. Follow the software's instructions to quarantine or remove the virus.</p> <p><input type="checkbox"/> 2. Ignore the warning and continue using the computer.</p> <p><input type="checkbox"/> 3. Delete the infected files immediately.</p> <p><input type="checkbox"/> 4. Perform a system backup before taking any action.</p>
Q.76	Six people A, B, C, D, E and F live on six different floors of the same building. The bottom-most floor of the building is numbered as 1; the floor above it is numbered as 2 and so on. The topmost floor is numbered as 6. A lives on an even-numbered floor. Only three people live between A and B. F lives immediately above E. B does not live on floor number 2. Only two people live between F and D. F lives on an even-numbered floor. Who lives on floor number 3?
Ans	<p><input checked="" type="checkbox"/> 1. E</p> <p><input type="checkbox"/> 2. C</p> <p><input type="checkbox"/> 3. B</p> <p><input type="checkbox"/> 4. D</p>
Q.77	If 8th and 12th terms of an A.P. be 82 and 478 respectively, then its 50th term is:
Ans	<p><input type="checkbox"/> 1. 4241</p> <p><input type="checkbox"/> 2. 4242</p> <p><input type="checkbox"/> 3. 4238</p> <p><input checked="" type="checkbox"/> 4. 4240</p>

Q.78	Rearrange the following search engines according to the popularity of people using it. I. Yahoo II. Google III. Bing IV. Yandex
Ans	<p><input type="checkbox"/> 1. I, II, III, IV</p> <p><input type="checkbox"/> 2. II, I, IV, III</p> <p><input checked="" type="checkbox"/> 3. II, III, I, IV</p> <p><input type="checkbox"/> 4. IV, III, II, I</p>

Q.79	When was the second war between the British army and Burma started?
Ans	<p><input checked="" type="checkbox"/> 1. 1852</p> <p><input type="checkbox"/> 2. 1824</p> <p><input type="checkbox"/> 3. 1826</p> <p><input type="checkbox"/> 4. 1885</p>

Q.80	Study the given graph and answer the question that follows.										
<table border="1"> <caption>Marks of Devi in Different Subjects</caption> <thead> <tr> <th>Subject Name</th> <th>Marks (out of 50)</th> </tr> </thead> <tbody> <tr> <td>Math</td> <td>40</td> </tr> <tr> <td>English</td> <td>25</td> </tr> <tr> <td>Punjabi</td> <td>45</td> </tr> <tr> <td>History</td> <td>35</td> </tr> </tbody> </table>		Subject Name	Marks (out of 50)	Math	40	English	25	Punjabi	45	History	35
Subject Name	Marks (out of 50)										
Math	40										
English	25										
Punjabi	45										
History	35										
The graph above depicts the marks of Devi in different subjects. What is her percentage of marks in Punjabi?											
Ans	<p><input type="checkbox"/> 1. 95%</p> <p><input type="checkbox"/> 2. 80%</p> <p><input type="checkbox"/> 3. 85%</p> <p><input checked="" type="checkbox"/> 4. 90%</p>										

Q.81	What is the range supported in MS-Word to change the size of the selected text?
Ans	<p><input type="checkbox"/> 1. Between 1 and 1500, in multiples of 1 (such as 10 or 105)</p> <p><input checked="" type="checkbox"/> 2. Between 1 and 1638, in multiples of .5 (such as 10.5 or 105.5)</p> <p><input type="checkbox"/> 3. Between 0.5 and 1000, in multiples of .5 (such as 10.5 or 105.5)</p> <p><input type="checkbox"/> 4. Between 0.5 and 2000, in multiples of .5 (such as 10.5 or 105.5)</p>

Q.82	Which of the following behaviours aligns with netiquette guidelines?
Ans	<p><input type="checkbox"/> 1. Ignoring others' opinions in online discussions</p> <p><input type="checkbox"/> 2. Sending respectful and constructive emails</p> <p><input type="checkbox"/> 3. Sharing properly cited information</p> <p><input checked="" type="checkbox"/> 4. Responding promptly to messages</p>

Q.83	Which of the following is NOT an input device?
Ans	<p><input type="checkbox"/> 1. Mouse</p> <p><input checked="" type="checkbox"/> 2. Speaker</p> <p><input type="checkbox"/> 3. Optical Character Reader (OCR)</p> <p><input type="checkbox"/> 4. Digitizer</p>
Q.84	<p>In the following number-pairs, the second number is obtained by applying certain mathematical operations to the first number. Which numbers should replace X and Y so that the pattern followed by the two numbers on the left side of :: is same as that on the right side of ::?</p> <p>(NOTE: Operations should be performed on the whole numbers, without breaking down the numbers into its constituent digits. E.g. 13 – Operations on 13 such as adding /subtracting /multiplying etc. to 13 can be performed. Breaking down 13 into 1 and 3 and then performing mathematical operations on 1 and 3 is not allowed.)</p> <p>X : 49 :: 17 : Y</p>
Ans	<p><input checked="" type="checkbox"/> 1. X = 23, Y = 37</p> <p><input type="checkbox"/> 2. X = 25, Y = 39</p> <p><input type="checkbox"/> 3. X = 21, Y = 37</p> <p><input type="checkbox"/> 4. X = 31, Y = 34</p>
Q.85	Evaluate: $38 - 9 \div 6 \times 6$
Ans	<p><input checked="" type="checkbox"/> 1. 29</p> <p><input type="checkbox"/> 2. 28</p> <p><input type="checkbox"/> 3. 32</p> <p><input type="checkbox"/> 4. 27</p>
Q.86	The area of the triangle ABC with the vertices A(-5, 7), B(-4, -5) and C(4, 5) is
Ans	<p><input checked="" type="checkbox"/> 1. 53 sq. units</p> <p><input type="checkbox"/> 2. 63 sq. units</p> <p><input type="checkbox"/> 3. 36 sq. units</p> <p><input type="checkbox"/> 4. 35 sq. units</p>
Q.87	Which of the following shortcuts is used to Split the document window?
Ans	<p><input type="checkbox"/> 1. Ctrl + Y</p> <p><input type="checkbox"/> 2. Ctrl + Alt + C</p> <p><input checked="" type="checkbox"/> 3. Ctrl + Alt + S</p> <p><input type="checkbox"/> 4. Alt + Shift + C</p>
Q.88	The long form of DAC and MAC is:
Ans	<p><input type="checkbox"/> 1. Direct Access Control and Mandatory Access Control</p> <p><input type="checkbox"/> 2. Discretionary Access Control and Multiple Access Control</p> <p><input checked="" type="checkbox"/> 3. Discretionary Access Control and Mandatory Access Control</p> <p><input type="checkbox"/> 4. Direct Access Control and Multiple Access Control</p>
Q.89	A 2 kg object is dropped from a height of 10 m. Assuming no air resistance, what will be the object's speed just before it hits the ground?
Ans	<p><input type="checkbox"/> 1. 25 m/s</p> <p><input type="checkbox"/> 2. 20 m/s</p> <p><input checked="" type="checkbox"/> 3. 14 m/s</p> <p><input type="checkbox"/> 4. 10 m/s</p>

Q.90	The mode and median of a data is 19.5 and 85, respectively. What is the mean of the data? (Use empirical formula.)
Ans	<input type="checkbox"/> 1. 119.1
	<input type="checkbox"/> 2. 118
	<input checked="" type="checkbox"/> 3. 117.8
	<input type="checkbox"/> 4. 118.6
Q.91	Quantisation error of an 8-bit A/D converter for an analog voltage in the range -1 to $+1$ volt is approximately equal to ____ mv.
Ans	<input type="checkbox"/> 1. 0.4
	<input type="checkbox"/> 2. 0.1
	<input checked="" type="checkbox"/> 3. 2
	<input type="checkbox"/> 4. 0.3
Q.92	The areas of three adjacent faces of a solid cuboid are 260 cm^2 , 104 cm^2 and 10 cm^2 . What is the volume (in cm^3) of the cuboid?
Ans	<input type="checkbox"/> 1. 627
	<input checked="" type="checkbox"/> 2. 520
	<input type="checkbox"/> 3. 524
	<input type="checkbox"/> 4. 782
Q.93	When performing the operation $(1.23456 \times 10^3) + (1.234 \times 10^2)$, how many significant figures should be reported in the result, assuming no rounding errors?
Ans	<input type="checkbox"/> 1. 3
	<input type="checkbox"/> 2. 4
	<input type="checkbox"/> 3. 2
	<input checked="" type="checkbox"/> 4. 5
Q.94	Which HTTP method is typically used to download a web page?
Ans	<input type="checkbox"/> 1. POST
	<input type="checkbox"/> 2. DELETE
	<input type="checkbox"/> 3. PUT
	<input checked="" type="checkbox"/> 4. GET
Q.95	In which of the following countries does the industrial sector contribute less towards the GDP?
Ans	<input type="checkbox"/> 1. India
	<input type="checkbox"/> 2. Japan
	<input type="checkbox"/> 3. China
	<input checked="" type="checkbox"/> 4. Pakistan
Q.96	What is the work done when a constant force of 20 N is applied at an angle of 30° to the direction of displacement of 13 m?
Ans	<input type="checkbox"/> 1. 390 Joules
	<input checked="" type="checkbox"/> 2. 225 Joules
	<input type="checkbox"/> 3. 260 Joules
	<input type="checkbox"/> 4. 185 Joules

Test

Prime

By Adda247

Previous Year Papers PDF

PRACTICE MORE, SCORE HIGHER!



Free
25,000+
PDF's

High-Quality | Exam-Wise | Updated Regularly

ATTEMPT AS
MOCK



Turn PDFs into real exam experience.
Analyze. Improve. Succeed.



Topic-wise &
Exam-wise PDFs



Download &
Study Offline



Attempt as Mock
& Track Score



Smart Analysis
& Performance

AVAILABLE IN



Banking



SSC



Railway



Teaching



UGC



Agriculture



Nursing



Bihar



UP



Punjab



WB



Odisha



TN



AP & Telangana



Haryana



DOWNLOAD THE APP



Q.97	The shadow of an 8 m tall building is of length 6 m on the ground. Which of the following is the distance of the end point of the shadow from the top of the building?
Ans	<p><input type="checkbox"/> 1. 9 m</p> <p><input type="checkbox"/> 2. 12 m</p> <p><input type="checkbox"/> 3. 6 m</p> <p><input checked="" type="checkbox"/> 4. 10 m</p>
Q.98	Which Article of the Indian Constitution provides for 'Right to work, to education and to public assistance in certain cases'?
Ans	<p><input type="checkbox"/> 1. Article 34</p> <p><input type="checkbox"/> 2. Article 29</p> <p><input type="checkbox"/> 3. Article 50</p> <p><input checked="" type="checkbox"/> 4. Article 41</p>
Q.99	Anurag starts from Point Y and drives 11 km towards North. He then takes a right turn, drives 25 km, turns right and drives 27 km. He then takes a right turn and drives 11 km. He takes a right turn, drives 41 km. He then turns left, drives 14 km and stops at Point Z. How far (shortest distance) and towards which direction should he drive in order to reach Point Y again? (All turns are 90 degrees turns only unless specified)
Ans	<p><input type="checkbox"/> 1. 36 km towards North</p> <p><input type="checkbox"/> 2. 14 km towards North</p> <p><input type="checkbox"/> 3. 30 km towards South</p> <p><input checked="" type="checkbox"/> 4. 25 km towards South</p>
Q.100	If the sum and product of the roots of a quadratic equation are $\frac{11}{2}$ and $\frac{15}{2}$, respectively, then the equation whose roots are double the roots of the given equation is:
Ans	<p><input type="checkbox"/> 1. $x^2 + 11x + 30 = 0$</p> <p><input checked="" type="checkbox"/> 2. $x^2 - 11x + 30 = 0$</p> <p><input type="checkbox"/> 3. $x^2 + 11x - 30 = 0$</p> <p><input type="checkbox"/> 4. $x^2 - 11x - 30 = 0$</p>